



Display Warmers
Models DW-CN-0097, 0107, 0137
Items 40000, 40002, 40001
Instruction Manual



Revised - 06/15/2021



Toll Free: 1-800-465-0234
Fax: 905-607-0234
Email: service@omcan.com
www.omcan.com

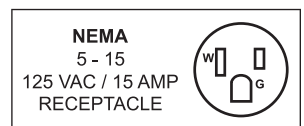


Table of Contents

Model DW-CN-0097 / Model DW-CN-0107 / Model DW-CN-0137

Section	Page
General Information -----	3 - 4
Safety and Warranty -----	4 - 6
Technical Specifications -----	6
Installation -----	7
Operation -----	7
Maintenance -----	7 - 8
Parts Breakdown -----	9 - 13
Electrical Schematics -----	14
Warranty Registration -----	15



General Information

Omcan Manufacturing and Distributing Company Inc., Food Machinery of America, Inc. dba Omcan and Omcan Inc. are not responsible for any harm or injury caused due to any person's improper or negligent use of this equipment. The product shall only be operated by someone over the age of 18, of sound mind, and not under the influence of any drugs or alcohol, who has been trained in the correct operation of this machine, and is wearing authorized, proper safety clothing. Any modification to the machine voids any warranty, and may cause harm to individuals using the machine or in the vicinity of the machine while in operation.

CHECK PACKAGE UPON ARRIVAL

Upon receipt of an Omcan shipment please inspect for external damage. If no damage is evident on the external packaging, open carton to ensure all ordered items are within the box, and there is no concealed damage to the machine. If the package has suffered rough handling, bumps or damage (visible or concealed), please note it on the bill of lading before accepting the delivery and contact Omcan within 24 hours, so we may initiate a claim with the carrier. A detailed report on the extent of the damage caused to the machine must be filled out within three days, from the delivery date shown in the shipping documents. Omcan has no recourse for damaged products that were shipped collect or third party.

Before operating any equipment, always read and familiarize yourself with all operation and safety instructions.

Omcan would like to thank you for purchasing this machine. It's of the utmost importance to save these instructions for future reference. Also save the original box and packaging for shipping the equipment if servicing or returning of the machine is required.

Omcan Fabrication et distribution Compañie Limité et Food Machinery d'Amérique, dba Omcan et Omcan Inc. ne sont pas responsables de tout dommage ou blessure causé du fait que toute personne ait utilisé cet équipement de façon irrégulière. Le produit ne doit être exploité que par quelqu'un de plus de 18 ans, saine d'esprit, et pas sous l'influence d'une drogue ou d'alcool, qui a été formé pour utiliser cette machine correctement, et est vêtu de vêtements de sécurité approprié. Toute modification de la machine annule toute garantie, et peut causer un préjudice à des personnes utilisant la machine ou des personnes à proximité de la machine pendant son fonctionnement.

VÉRIFIEZ LE COLIS DÈS RÉCEPTION

Dès réception d'une expédition d'Omcan veuillez inspecter pour dommages externes. Si aucun dommage n'est visible sur l'emballage externe, ouvrez le carton afin de s'assurer que tous les éléments commandés sont dans la boîte, et il n'y a aucun dommage dissimulé à la machine. Si le colis n'a subi aucune mauvaises manipulations, de bosses ou de dommages (visible ou cachée), notez-le sur le bond de livraison avant d'accepter la livraison et contactez Omcan dans les 24 heures qui suivent, pour que nous puissions engager une réclamation auprès du transporteur. Un rapport détaillé sur l'étendue des dommages causés à la machine doit être rempli dans un délai de trois jours, à compter de la date de livraison indiquée dans les documents d'expédition. Omcan n'a aucun droit de recours pour les produits endommagés qui ont été expédiés ou cueilli par un tiers transporteur.

General Information

Avant d'utiliser n'importe quel équipement, toujours lire et vous familiariser avec toutes les opérations et les consignes de sécurité.

Omcan voudrais vous remercier d'avoir choisi cette machine. Il est primordial de conserver ces instructions pour une référence ultérieure. Également conservez la boîte originale et l'emballage pour l'expédition de l'équipement si l'entretien ou le retour de la machine est nécessaire.

Omcan Empresa De Fabricacion Y Distribucion Inc. Y Maquinaria De Alimentos De America, Inc. dba Omcan y Omcan Inc. no son responsables de ningun daño o perjuicio causado por cualquier persona inadecuada o el uso descuidado de este equipo. El producto solo podra ser operado por una persona mayor de 18 años, en su sano juicio y no bajo alguna influencia de droga o alcohol, y que este ha sido entrenado en el correcto funcionamiento de esta máquina, y ésta usando ropa apropiada y autorizada. Cualquier modificación a la máquina anula la garantía y puede causar daños a las personas usando la máquina mientras esta en el funcionamiento.

REVISE EL PAQUETE A SU LLEGADA

Tras la recepcion de un envio Omcan favor inspeccionar daños externos. Si no hay daños evidentes en el empaque exterior, Habra el carton para asegurarse que todos los articulos solicitados estén dentro de la caja y no encuentre daños ocultos en la máquina. Si el paquete ha sufrido un manejo de poco cuidado, golpes o daños (visible o oculto) por favor anote en la factura antes de aceptar la entrega y contacte Omcan dentro de las 24 horas, de modo que podamos iniciar una reclamación con la compañía. Un informe detallado sobre los daños causados a la máquina debe ser llenado en el plazo de tres días, desde la fecha de entrega que se muestra en los documentos de envío. Omcan no tiene ningun recurso por productos dañados que se enviaron a recoger por terceros.

Antes de utilizar cualquier equipo, siempre lea y familiarizarse con todas las instrucciones de funcionamiento y seguridad.

Omcan le gustaría darle las gracias por la compra de esta máquina. Es de la mayor importancia para salvar estas instrucciones para futuras consultas. Además, guarda la caja original y el embalaje para el envío del equipo si servicio técnico o devolución de la máquina que se requiere.

Safety and Warranty

1. This instruction manual contains information about the installation, operation and maintenance of the device and should be consulted as an important source of information and reference guide.
 2. Awareness of the safety instructions and instructions for use in this manual will ensure the safe and correct use of the device.
- To prevent hazards and to ensure optimum efficiency, no modifications or alterations to the device that are not explicitly approved by the manufacturer may be undertaken. This device may only be operated in



Safety and Warranty

technically proper and safe condition.

- The device should be never left unattended during operation. Keep away children.
- Preserve this manual safely. When passing on/selling the device to a third party, the manuals must be handed over along with the device.
- Every person using the device must act in accordance to the manuals and under consideration of the safety advice.
- The device is to be used indoors only.
- Any technical interventions, as well as assembly and maintenance are to be made by a qualified customer service only.
- This appliance is not intended for use by persons (including children) with reduced physical, sensory or mental capabilities, or lack of experience and knowledge, unless they have been given supervision or instruction concerning use of the appliance by a person responsible for their safety.
- Children should be supervised to ensure that they do not play with the appliance.
- The operation manual is not suitable for the persons (including children) with reduced physical, sensory or mental capabilities, or lack of experience and knowledge.

<p>Exclusive power outlet The power outlet must be in close proximity to the ground.</p>	<p>No shared power outlets Warmer cable should never share the power outlet with any other appliance, as cable will overheat and may result in a fire.</p>
<p>Protect cables Extra caution should be used when handling cables, as broken or damaged cables can cause sparking and may result in a fire.</p>	<p>No water flushing Never flush the warmer surface. This can cause leakage, which may result in electrical damage or fire.</p>
<p>Never store flammables and explosives No explosives or flammables should be stored in, or in proximity to, the warmer, such as gasoline, alcohol, and adhesives.</p>	

Omcan display warmers are engineered and designed to maintain previously cooked foods at serving temperatures. Improper use of this machine’s maximum temperature for extended periods of time, in an attempt to thoroughly cook food products, is prohibited. Such operation will void the manufacturer’s warranty and may result in under cooked and therefore unsafe food.

RESIDENTIAL USERS: Vendor assumes no liability for parts or labor coverage for component failure or other damages resulting from installation in non-commercial or residential applications. The right is reserved to deny shipment for residential usage; if this occurs, you will be notified as soon as possible.

1 YEAR PARTS AND LABOUR WARRANTY

Within the warranty period, contact Omcan Inc. at 1-800-465-0234 to schedule an Omcan authorized service technician to repair the equipment locally.

Unauthorized maintenance will void the warranty. Warranty covers electrical and part failures, not

Safety and Warranty

improper use.

Please see <https://omcan.com/disclaimer> for complete info.

WARNING:

The packaging components are classified as normal solid urban waste and can therefore be disposed of without difficulty.

In any case, for suitable recycling, we suggest disposing of the products separately (differentiated waste) according to the current norms.

DO NOT DISCARD ANY PACKAGING MATERIALS IN THE ENVIRONMENT!

Technical Specifications

Model	DW-CN-0097	DW-CN-0107	DW-CN-0137
Temperature Range	30 - 90°C / 86° - 194°F		
Input Power	786 W	986 W	1050 W
Current	7.2A	9A	9.5A
Electrical	110V / 60Hz / 1		
Lamp Power	11 W		
Volume	97 L / 3.43 cu. ft.	107 L / 3.78 cu. ft.	137 L / 4.84 cu. ft.
Grade of Waterproof	IPX3		
Exterior / Interior Lights	LED Lights x 1		
Dimensions	18" x 17.8" x 30.9" 457 x 452 x 785mm	25.5" x 19" x 25.9" 648 x 483 x 658mm	25.5" x 19" x 30.9" 648 x 483 x 785mm
Packaging Dimensions	21" x 21.1" x 32.8" 533 x 536 x 833mm	28.3" x 21.1" x 27.8" 719 x 536 x 706mm	28.3" x 21.1" x 32.8" 719 x 536 x 833mm
Weight	48.5 lbs. / 22 kgs.	49.6 lbs. / 22.5 kgs.	59.5 lbs. / 27 kgs.
Packaging Weight	50.5 lbs. / 22.9 kgs.	51.6 lbs. / 23.4 kgs.	61.5 lbs. / 27.9 kgs.
Item Number	40000	40002	40001

Installation

- Place the device on top of a safe and even surface which supports the weight of the device, and is not heat sensitive.
- Never place the device on a flammable surface (such as table cloth, carpet, etc).
- Do not place the device near open fireplaces, electric ovens/arc furnaces/electric heaters or other heat sources.
- Ensure that the power outlet is easily accessible to the device.

Operation

- Before first use, clean the inner sides and the playing grids with a soft cloth and a mild cleaning agent. Afterwards, dry the device thoroughly.
- To fill water bowl, remove the water bowl from the device and then fill the water bowl with water.
- Connect the device to a single grounded power outlet.
- Set the temperature as required for respective foods. You may adjust the desired temperature between 30°C-90°C / 86°F-194 °F.
- The temperature inside of the hot display can be read from the front display.
- Put the food in appropriate containers before placing them inside the hot display.
- Always use safety gloves or tongs when placing or removing foods, as some of the device's parts become very hot.
- The foods are kept warm at the temperature set.
- Open rear side door to place or remove foods.
- Turn on light switch when inner light is desired.
- Disconnect the device from the power outlet when the device is not in use.

Maintenance

- Before cleaning or repairing, make sure the device has been disconnected from the power socket and has cooled down.
- Do not use any acidic agents and make sure that no water enters the device.
- To protect yourself from electric shock, never immerse the device, its cables or the plug in water or any other liquids.
- Do not use any type of water pressure jet for cleaning the device.

CLEANING

- The device should be cleaned regularly.
- Clean the device in the inside and outside with a soft, damp cloth and a mild cleaning agent.
- Clean the placing grids and the housing with a soft, damp cloth and a mild cleaning agent.
- Clean the water bowl regularly. Calcifications at the water bowl may be removed with common agents or

Maintenance

liquids.

- Only use a soft cloth to clean the display warmer, and make sure you never use any kind of abrasive agents or pads which could scratch the surface.
- After the cleaning procedure, you should use a soft and dry cloth to dry and polish the surface.
- Make sure the device has been cleaned properly before storing it in a dry place.

MAINTENANCE

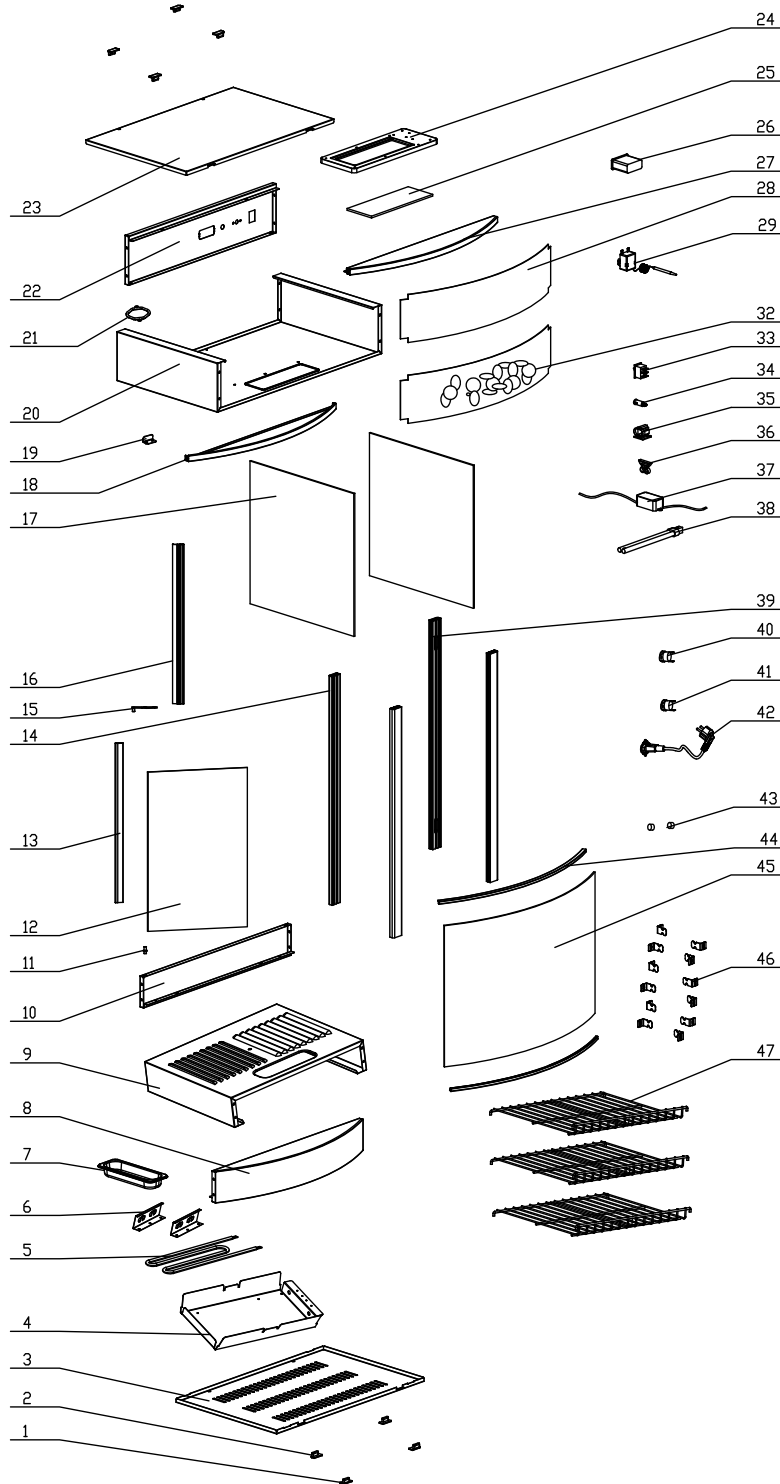
- Check the electrical cord regularly to ensure it is not damaged in any way.
- Never use the device if the electrical cord is damaged. If the electrical cord is damaged, it must be replaced by a qualified electrician.
- Only a qualified technician should carry out repairs and maintenance of the device. Do not attempt to repair the device by yourself.

CAUTION

- Children should be supervised to ensure that they do not play with the appliance.
- If the supply cord is damaged, it must be replaced by the manufacturer, its service agent or similarly qualified persons in order to avoid a hazard.

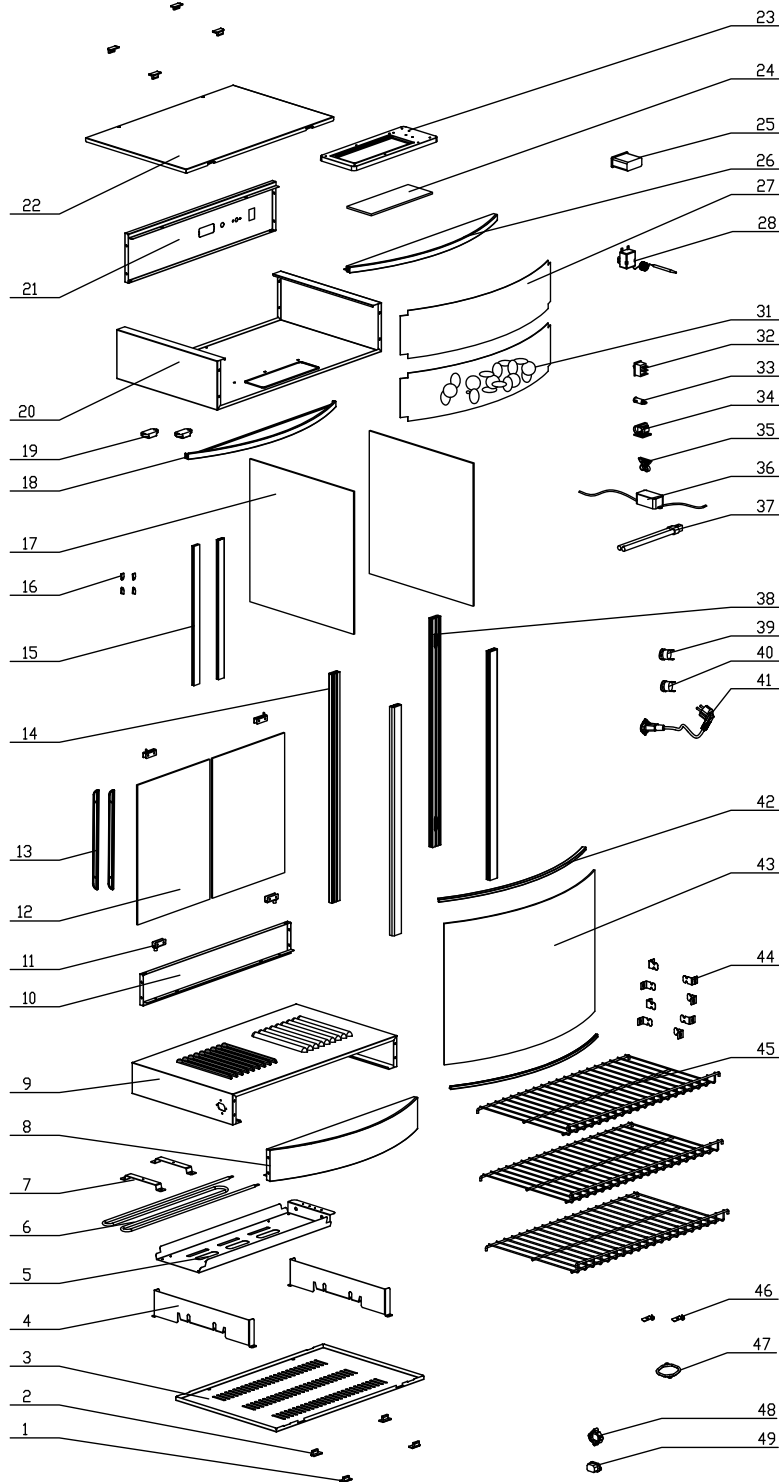
Parts Breakdown

Model DW-CN-0097 40000



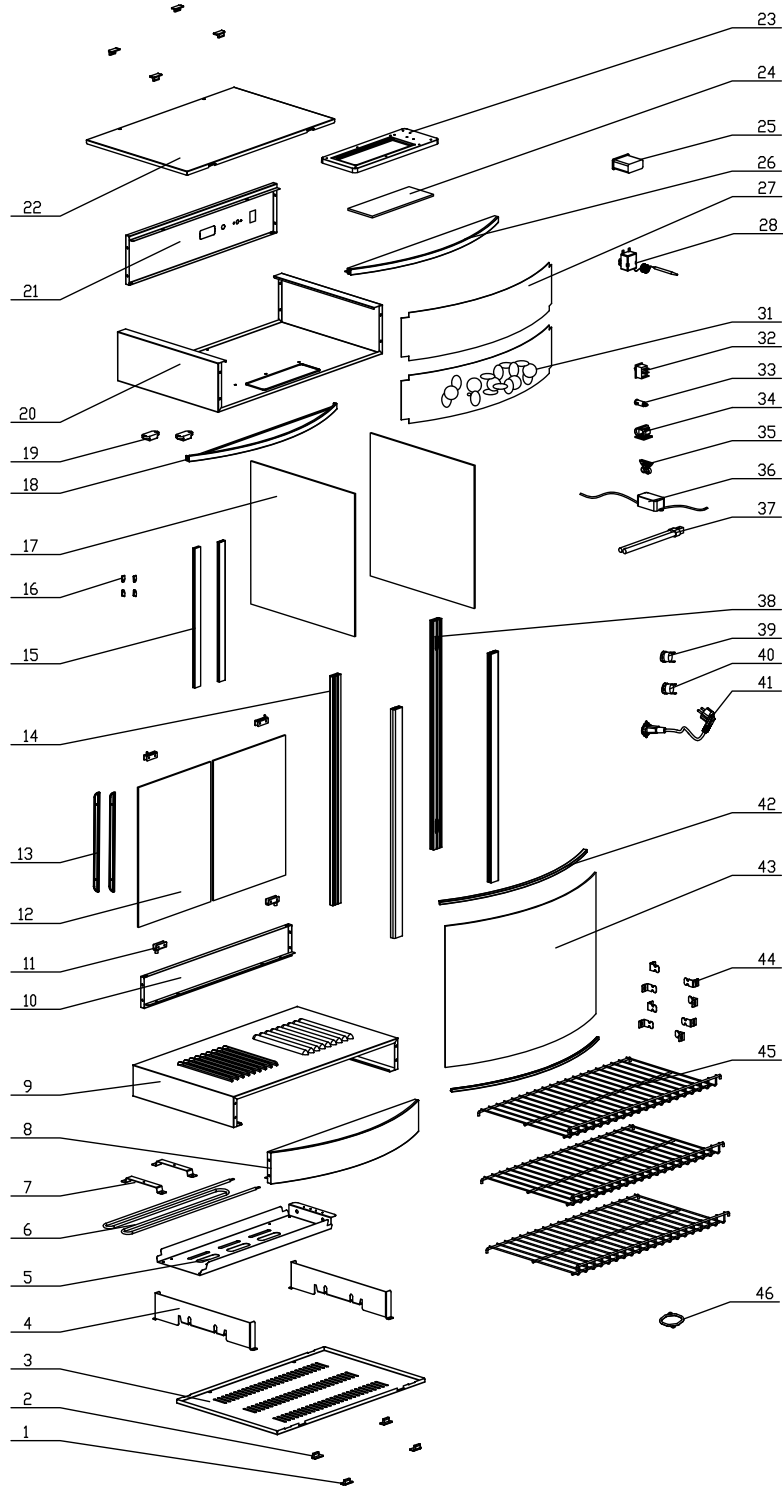
Parts Breakdown

Model DW-CN-0107 40002



Parts Breakdown

Model DW-CN-0137 40001



Parts Breakdown

Model DW-CN-0097 40000

Item No.	Description	Position	Item No.	Description	Position	Item No.	Description	Position
70819	Rubber Feet Left for 40000	1	70835	Door Frame Left for 40000	16	70688	Switch for 40000	33
70820	Rubber Feet Right for 40000	2	70837	Side Glass for 40000	17	60218	Indicator Light for 40000	34
70821	Bottom Board for 40000	3	70838	Component of Front Panel for 40000	18	70855	Lamp Holder for 40000	35
70823	Tray for Heater for 40000	4	70839	Door Stopper for 40000	19	70856	Lamp Bracket for 40000	36
70824	Heating Element for 40000	5	70840	Ceiling Board for 40000	20	70857	Electronic Ballast for 40000	37
67333	Heater Brace for 40000	6	AE709	Sheathed Platen for 40000	21	70858	Fluorescent Lamp for 40000	38
60735	Water Receiver for 40000	7	70842	Control Panel for 40000	22	70861	Back Pillar for 40000	39
70827	Component of Front Panel for 40000	8	70843	Cover Board for 40000	23	70863	Thermostat T1M/33 for 40000	40
70828	Ventilated Board for 40000	9	70844	Transparent Lamp Cover for 40000	24	70862	Thermostat T1/33 for 40000	41
70829	Back Panel for 40000	10	70845	Fixed Plate for Lamp Cover for 40000	25	60741	Power Line for 40000	42
67295	Door Pin for 40000	11	70846	Thermometer for 40000	26	70866	Magnet for 40000	43
70831	Door Glass for 40000	12	70847	Component of Front Panel for 40000	27	70867	Decorative Strip for 40000	44
70832	Barrier Strip for 40000	13	70848	Transparent Plate for 40000	28	70868	Curved Glass for 40000	45
70833	Front Pillar for 40000	14	70849	Temperature Controller for 40000	29	70869	Shelf Clamp for 40000	46
67296	Upper Hinge Back for 40000	15	70852	Advertisement Board for 40000	32	70870	Shelf for 40000	47

Model DW-CN-0107 40002

Item No.	Description	Position	Item No.	Description	Position	Item No.	Description	Position
70819	Rubber Feet Left for 40002	1	70889	Side Glass for 40002	17	70856	Lamp Bracket for 40002	35
70820	Rubber Feet Right for 40002	2	70890	Component of Front Panel for 40002	18	70857	Electronic Ballast for 40002	36
70874	Bottom Board for 40002	3	70891	Magnet for 40002	19	70858	Fluorescent Lamp for 40002	37
70875	Bottom Frame for 40002	4	70892	Ceiling Board for 40002	20	70912	Back Pillar for 40002	38
70876	Tray for Heater for 40002	5	70893	Control Panel for 40002	21	70863	Thermostat T1M/33 for 40002	39
70877	Heating Element for 40002	6	70894	Cover Board for 40002	22	70862	Thermostat T1/33 for 40002	40
67333	Heater Brace for 40002	7	70844	Transparent Lamp Cover for 40002	23	AE710	Power Cord for 40002	41
70879	Component of Front Panel for 40002	8	70845	Fixed Plate for Lamp Cover for 40002	24	70917	Decorative Strip for 40002	42
70881	Ventilated Board for 40002	9	70846	Temperature Display for 40002	25	70918	Curved Glass for 40002	43
70882	Back Panel for 40002	10	70898	Component of Front Panel for 40002	26	70869	Shelf Clamp for 40002	44
70883	Door Hinge for 40002	11	70899	Transparent Plate for 40002	27	70920	Shelf for 40002	45
70884	Door Glass for 40002	12	71640	Temperature Thermostat for 40002	28	78061	Probe Pressing Plate for 40002	46
70675	Sheath of Door Knob for 40002	13	70903	Advertisement Board for 40002	31	70916	Plug Clamp for 40002	47
70886	Front Pillar for 40002	14	70688	Switch for 40002	32	70910	Socket Connector for 40002	48
70887	Door Frame Left for 40002	15	60509	Indicating Light for 40002	33	70860	Socket for 40002	49
70888	Magnet Strip for 40002	16	70855	Lamp Holder for 40002	34			

Parts Breakdown

Model DW-CN-0137 40001

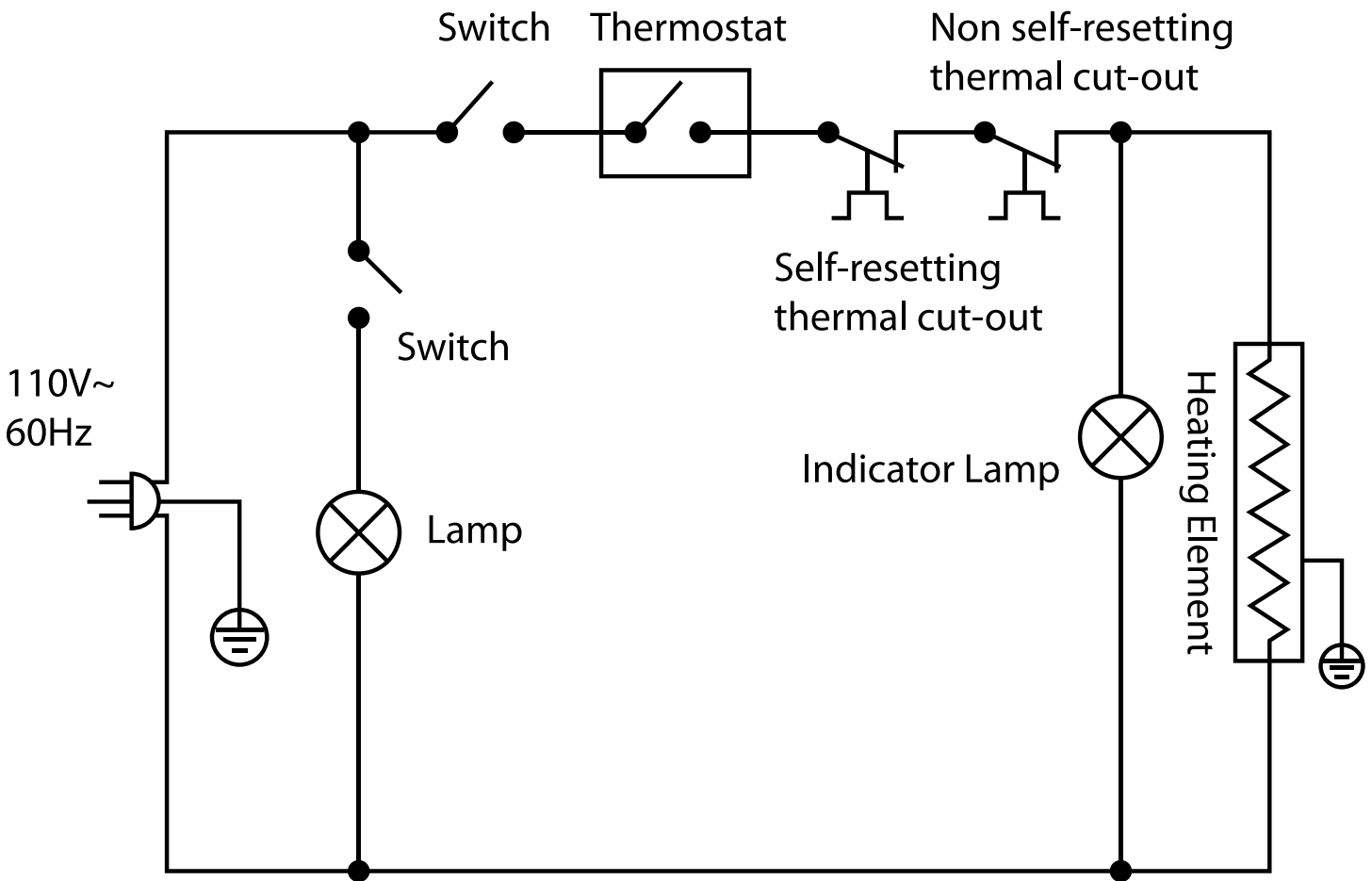
Item No.	Description	Position	Item No.	Description	Position	Item No.	Description	Position
70819	Rubber Feet Left for 40001	1	70888	Magnet Strip for 40001	16	60218	Indicator Light for 40001	33
70820	Rubber Feet Right for 40001	2	70837	Side Glass for 40001	17	70855	Lamp Holder for 40001	34
70874	Bottom Board for 40001	3	70890	Component of Front Panel for 40001	18	70856	Lamp Bracket for 40001	35
70875	Bottom Frame for 40001	4	70891	Magnet for 40001	19	70857	Electronic Ballast for 40001	36
70876	Tray for Heater for 40001	5	70892	Ceiling Board for 40001	20	70858	Fluorescent Lamp for 40001	37
70701	Heater Element for 40001	6	70893	Control Panel for 40001	21	70861	Back Pillar for 40001	38
67333	Heater Brace for 40001	7	70894	Cover Board for 40001	22	70863	Thermostat T1M/33 for 40001	39
70879	Component of Front Panel for 40001	8	70844	Transparent Lamp Cover for 40001	23	70862	Thermostat T1/33 for 40001	40
70932	Ventilated Board for 40001	9	70845	Fixed Plate for Lamp Cover for 40001	24	60741	Power Line for 40001	41
70882	Back Panel for 40001	10	70686	Temperature Display for 40001	25	70917	Decorative Strip for 40001	42
70883	Door Hinge for 40001	11	70898	Component of Front Panel for 40001	26	70969	Curved Glass for 40001	43
70935	Door Glass for 40001	12	70899	Transparent Plate for 40001	27	70869	Shelf Clamp for 40001	44
70675	Sheath of Door Knob for 40001	13	71640	Temperature Thermostat for 40001	28	70920	Shelf for 40001	45
70833	Front Pillar for 40001	14	70852	Advertisement Board for 40001	31	70916	Plug Clamp for 40001	46
70938	Door Frame for 40001	15	70688	Switch for 40001	32			

Electrical Schematics

Model DW-CN-0097 40000

Model DW-CN-0107 40002

Model DW-CN-0137 40001





Warranty Registration

Thank you for purchasing an Omcan product. To register your warranty for this product, complete the information below, tear off the card at the perforation and then send to the address specified below. You can also register online by visiting:

Merci d'avoir acheté un produit Omcan. Pour enregistrer votre garantie pour ce produit, complétez les informations ci-dessous, détachez la carte au niveau de la perforation, puis l'envoyer à l'adresse spécifiée ci-dessous. Vous pouvez également vous inscrire en ligne en visitant:

Gracias por comprar un producto Omcan usted. Para registrar su garantía para este producto, complete la información a continuación, cortar la tarjeta en la perforación y luego enviarlo a la dirección indicada a continuación. También puede registrarse en línea en:

<https://omcan.com/warranty-registration/>

For mailing in Canada

Pour postale au Canada

Por correo en Canadá

OMCAN

PRODUCT WARRANTY REGISTRATION

3115 Pepper Mill Court,

Mississauga, Ontario

Canada, L5L 4X5

For mailing in the US

Pour diffusion aux États-Unis

Por correo en los EE.UU.

OMCAN

PRODUCT WARRANTY REGISTRATION

4450 Witmer Industrial Estates, Unit 4,

Niagara Falls, New York

USA, 14305

or email to: service@omcan.com



Purchaser's Information

Name: _____

Address: _____

City: _____ Province or State: _____ Postal or Zip: _____

Country: _____

Dealer from which Purchased: _____

Dealer City: _____ Dealer Province or State: _____

Invoice: _____

Model Name: _____ Model Number: _____

Machine Description: _____

Date of Purchase (MM/DD/YYYY): _____

Would you like to extend the warranty? Yes No

Company Name: _____

Telephone: _____

Email Address: _____

Type of Company:

Restaurant Bakery Deli

Butcher Supermarket Caterer

Institution (*specify*): _____

Other (*specify*): _____

Serial Number: _____

Date of Installation (MM/DD/YYYY): _____

Thank you for choosing Omcan | Merci d'avoir choisi Omcan | Gracias por elegir Omcan



Since 1951 Omcan has grown to become a leading distributor of equipment and supplies to the North American food service industry. Our success over these many years can be attributed to our commitment to strengthen and develop new and existing relationships with our valued customers and manufacturers. Today with partners in North America, Europe, Asia and South America, we continually work to improve and grow the company. We strive to offer customers exceptional value through our qualified local sales and service representatives who provide convenient access to over 5,000 globally sourced products.

Depuis 1951 Omcan a grandi pour devenir un des “leaders” de la distribution des équipements et matériel pour l’industrie des services alimentaires en Amérique du Nord. Notre succès au cours de ces nombreuses années peut être attribué à notre engagement à renforcer et à développer de nouvelles et existantes relations avec nos clients et les fabricants de valeur. Aujourd’hui avec des partenaires en Amérique du Nord, Europe, Asie et Amérique du Sud, nous travaillons continuellement à améliorer et développer l’entreprise. Nous nous efforçons d’offrir à nos clients une valeur exceptionnelle grâce à nos ventes locales qualifiées et des représentants de service qui offrent un accès facile à plus de 5000 produits provenant du monde entier.

Desde 1951 Omcan ha crecido hasta convertirse en un líder en la distribución de equipos y suministros de alimentos en América del Norte industria de servicios. Nuestro éxito en estos años se puede atribuir a nuestro compromiso de fortalecer y desarrollar nuevas relaciones existentes con nuestros valiosos clientes y fabricantes. Hoy con socios de América del Norte, Europa, Asia y América del Sur, que trabajan continuamente para mejorar y crecer la empresa. Nos esforzamos por ofrecer a nuestros clientes valor excepcional a través de nuestro local de ventas y representantes de los servicios que proporcionan un fácil acceso a más de 5,000 productos con origen a nivel mundial.

